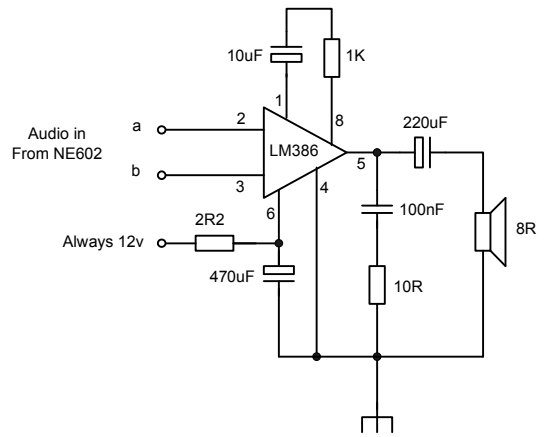


2 x 1N4148

L2 = 8 turns bifilar
32SWG enamelled Cu
On FT37-43

T3 = 10.7 MHz IFT with
Additional 22pF
Across primary

T1, L1 and T2 = 12 turns main
Winding, 2 turns
Coupling winding
36SWG enamelled
Cu on old CB IFT can



Audio in
From NE602

Always 12v

8R